

# LabSpion

## Assembly manual



Last edited: June 2015

**VISO**  
SYSTEMS

<b>Package content and weight</b> .....	<b>3</b>
<b>Assembly parts and cables</b> .....	<b>4</b>
<b>Package dimensions and weight</b> .....	<b>5</b>
<b>Assembly</b> .....	<b>6</b>
<b>1) Mount Base on Stand</b> .....	<b>6</b>
<b>3) Screws for tower lock</b> .....	<b>7</b>
<b>4) Assemble C-Plane Goni - Lamp Bracket</b> .....	<b>8</b>
<b>5) Attach Steel Pins to Tower</b> .....	<b>9</b>
<b>6) Tower + C-Plane Gonio</b> .....	<b>10</b>
<b>7) Level base</b> .....	<b>11</b>
<b>8) Slide Tower onto the Base</b> .....	<b>11</b>
<b>8) Mount Sensor to tripod</b> .....	<b>12</b>
<b>Cable connection</b> .....	<b>13</b>

# Package content and weight

The LabSpion consist of 6 main assemblies as shown below.

Base – 25Kg



Tower – 13Kg



Stand – 20kg



C-Plane Head 6Kg



C-Plane Bracket – 3Kg



Tripod – 5Kg



Sensor – 2Kg



## Assembly parts and cables

1 x IEC 2m Cable



1 x USB 5m Cable



1 x RJ45 3m Cable



1 x RJ45 25m Cable



2 x Steel Rod with angle



1 x Steel Rod



4 x Caps for Steel Rod



3 x Handles for base



2 x Handles for Lamp Brackets



2 x Lamp Brackets



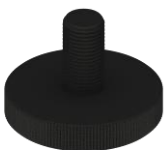
2 x Spacer for Lamp Brackets



7 x Spacer for C-Plane



3 x Screws for Base



7 x Screws for C-Plane



# Package dimensions and weight

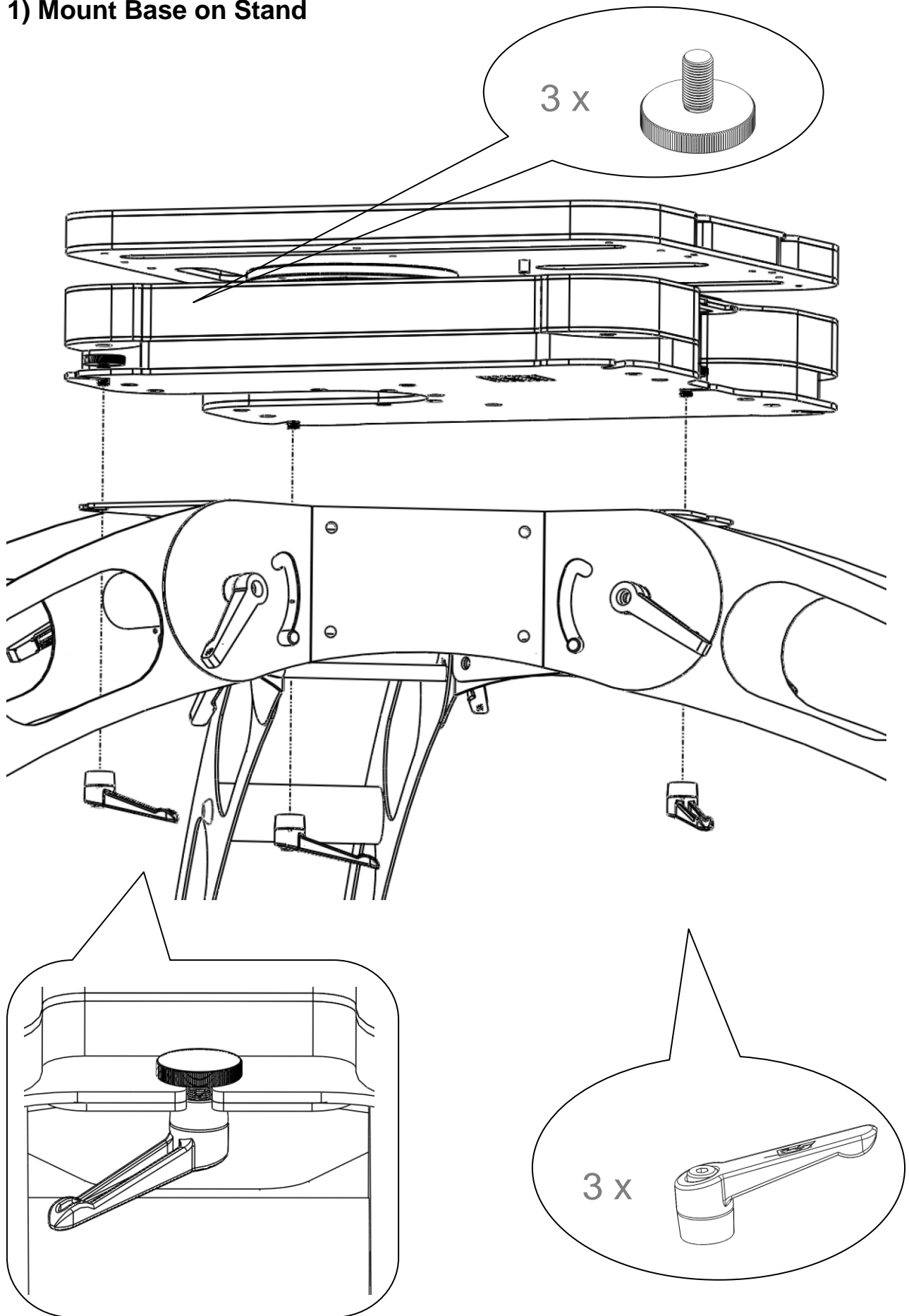
<u>Shipping packages</u>	<u>Shipping dimensions</u>	<u>Shipping weight</u>
1. Stand + LabSensor + Cables	101x58x57cm	30 Kg
2. Tower + C-Plane Gonio + Bracket + Tripod	118x32x42cm	28 Kg
3. Base	55x55x32cm	28 Kg

Total shipping weight: 86 Kg

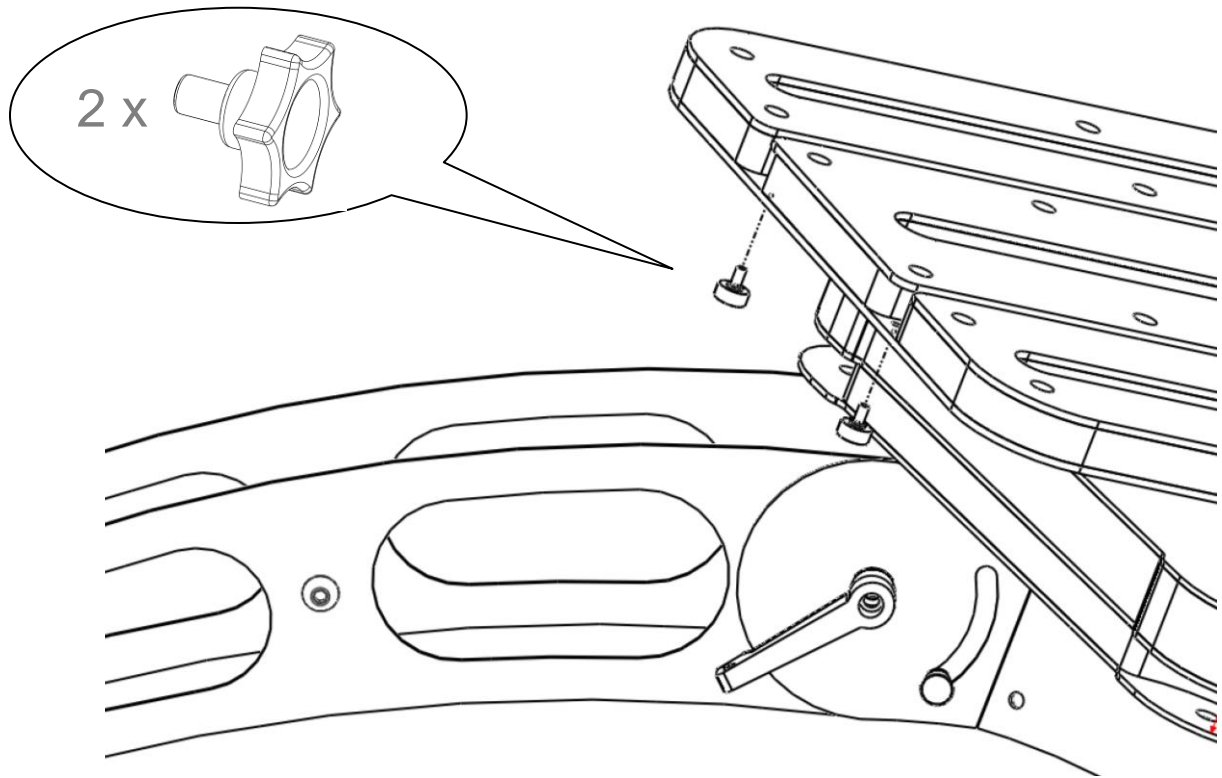
Packages: 3 pcs

# Assembly

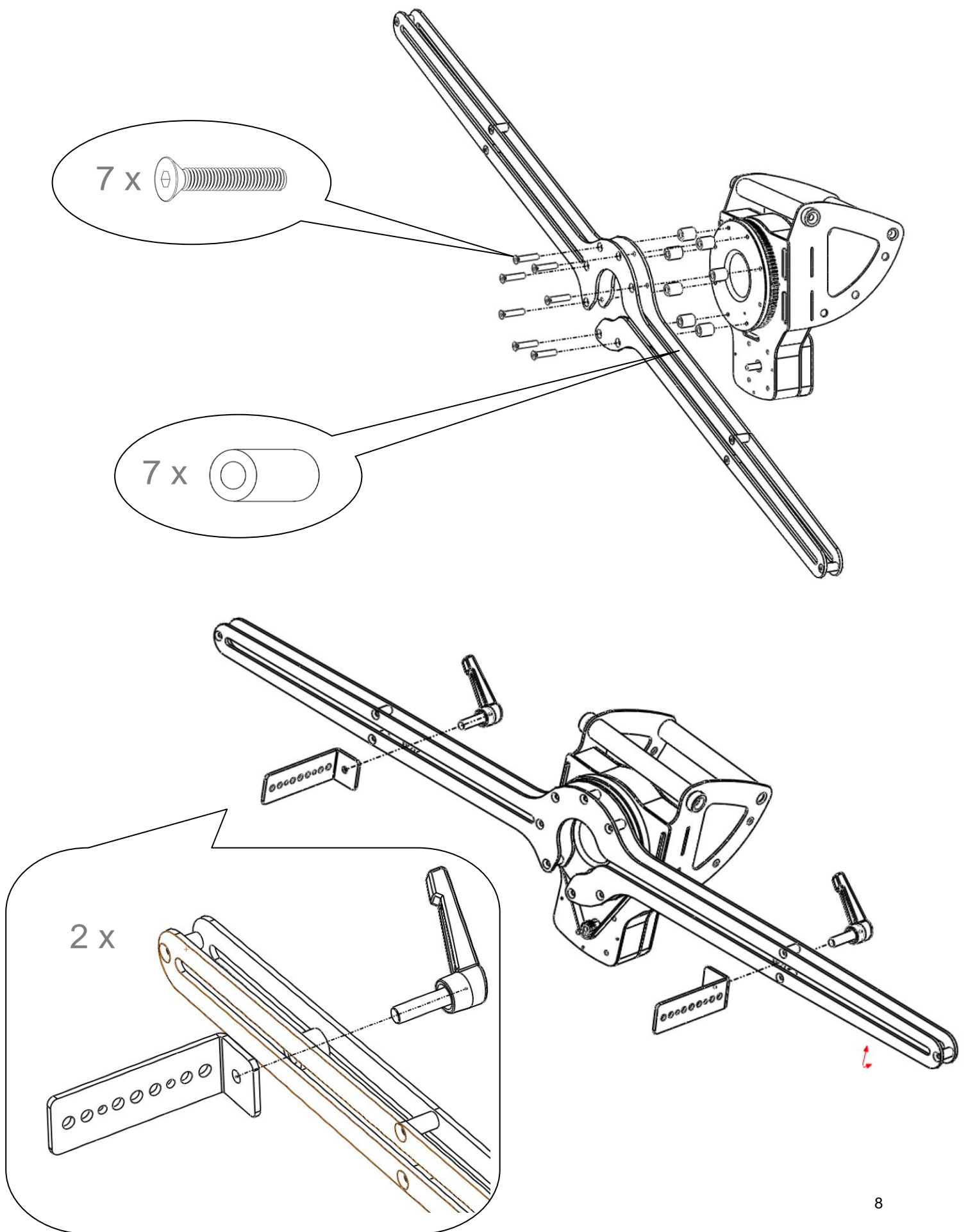
## 1) Mount Base on Stand



### 3) Screws for tower lock

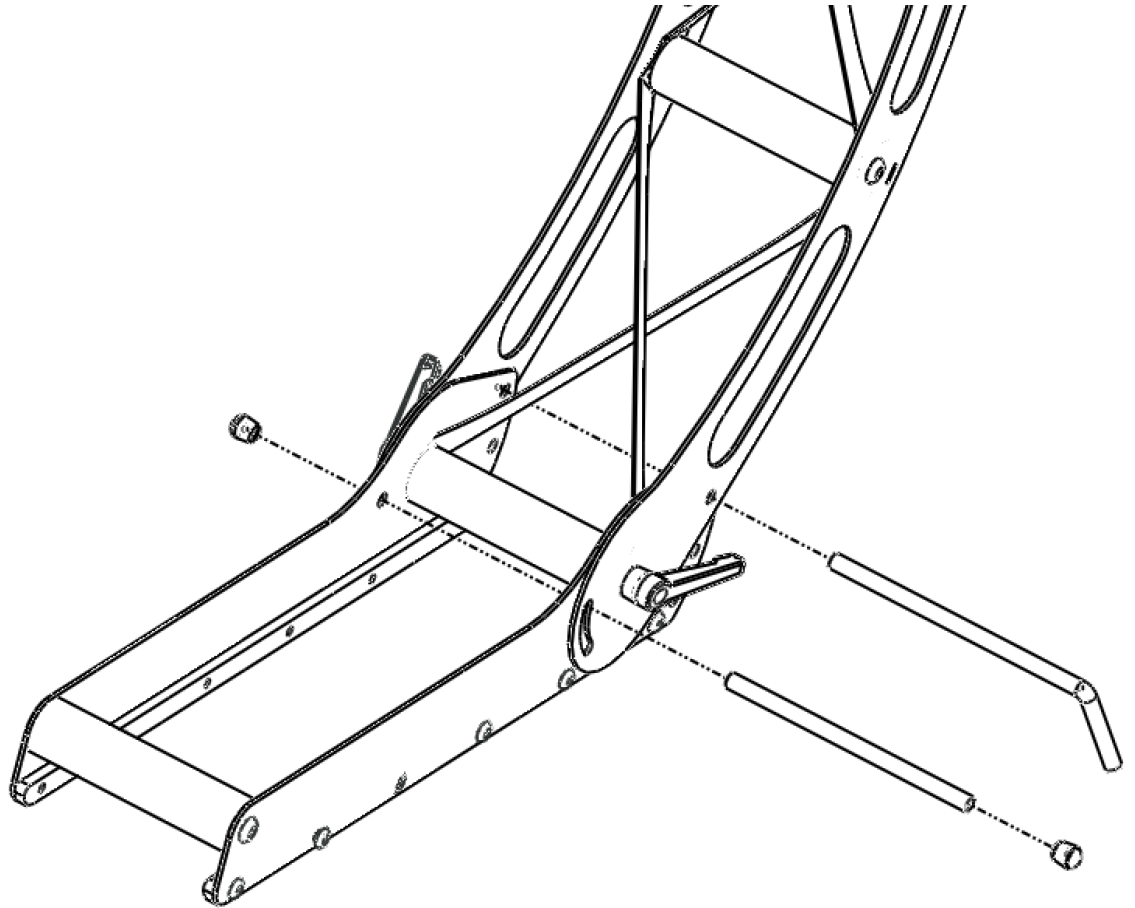


#### 4) Assemble C-Plane Goni – Lamp Bracket

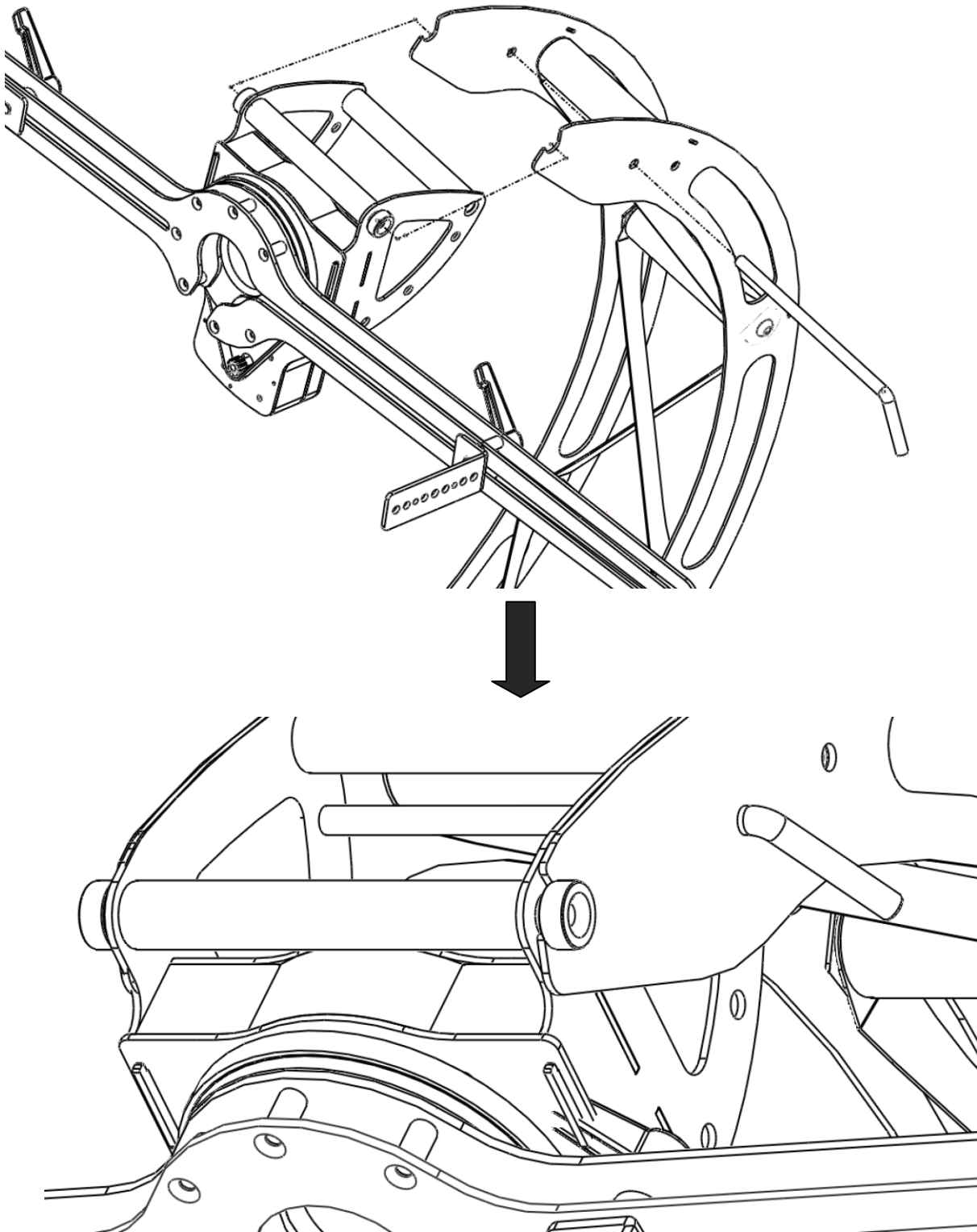




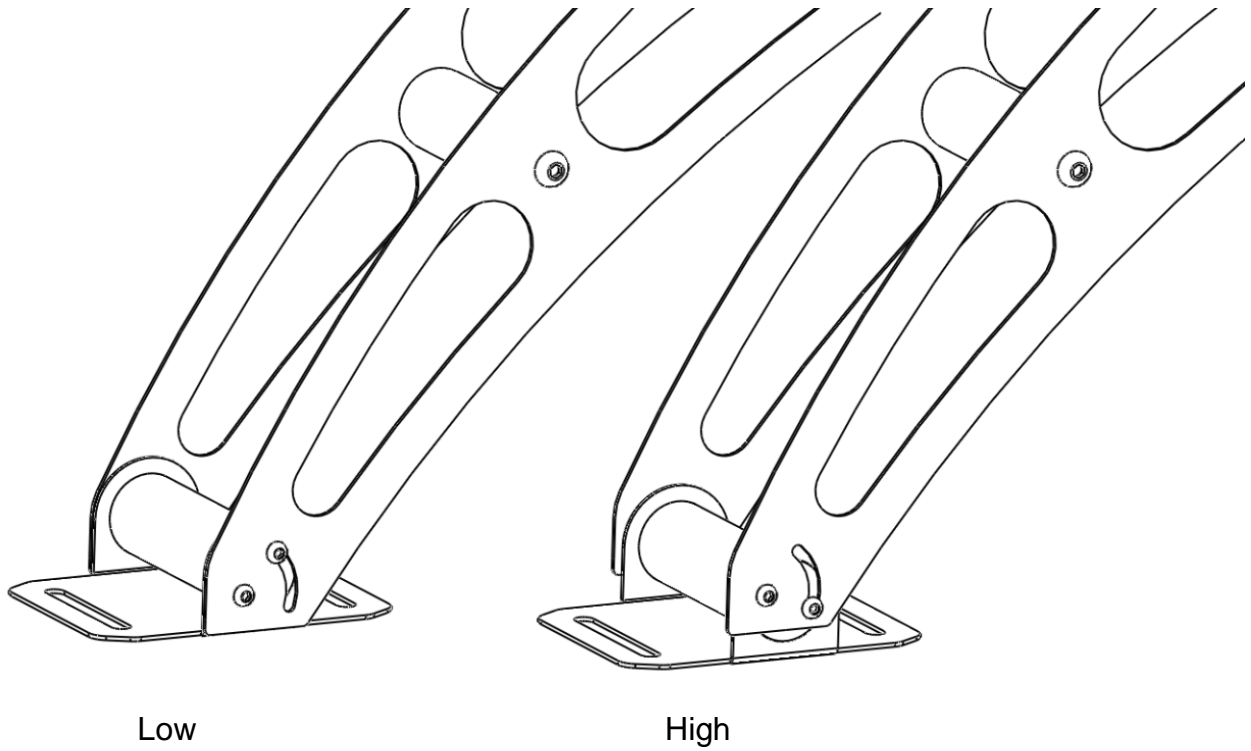
## 5) Attach Steel Pins to Tower



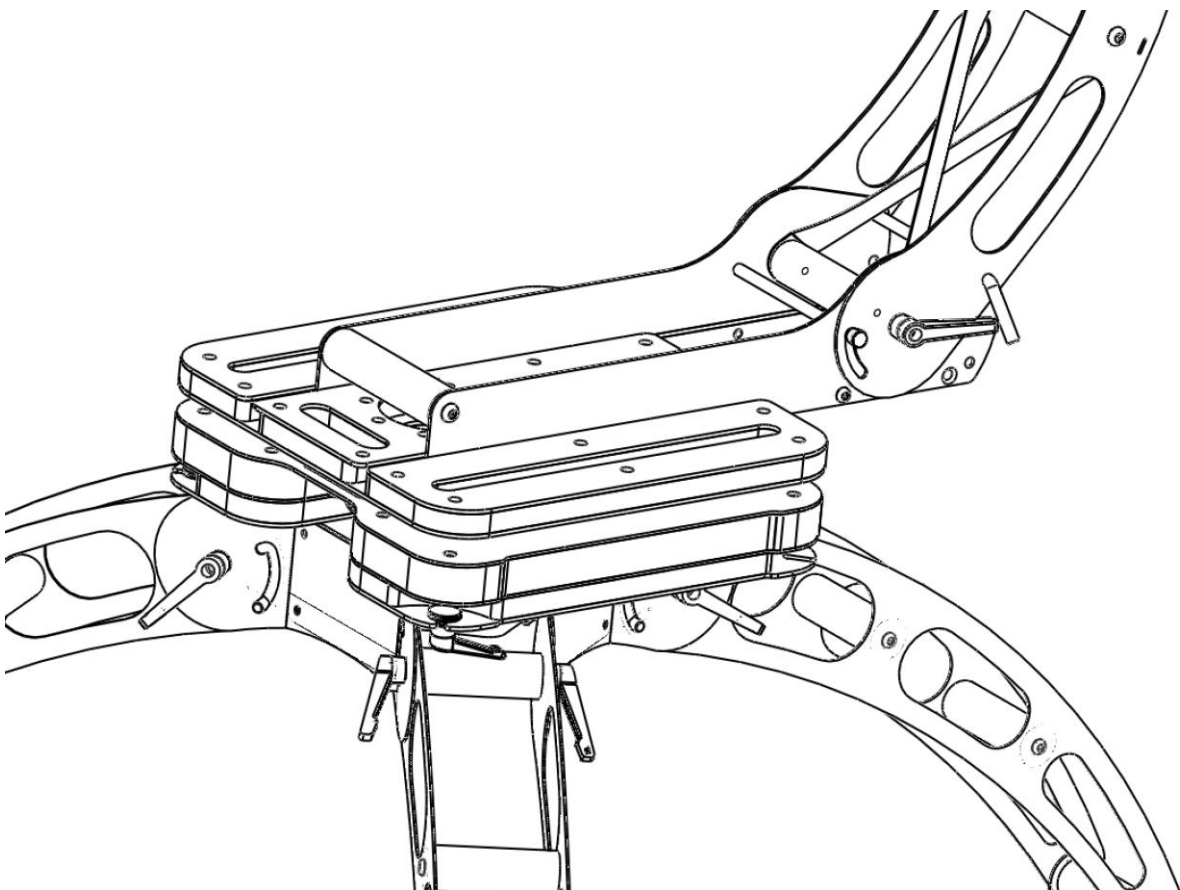
## 6) Tower + C-Plane Gonio



## 7) Level base



## 8) Slide Tower onto the Base



## 8) Mount Sensor to tripod



# Cable connection

Below is a connection diagram showing the cable configuration, please refer to the user manual for further details.

